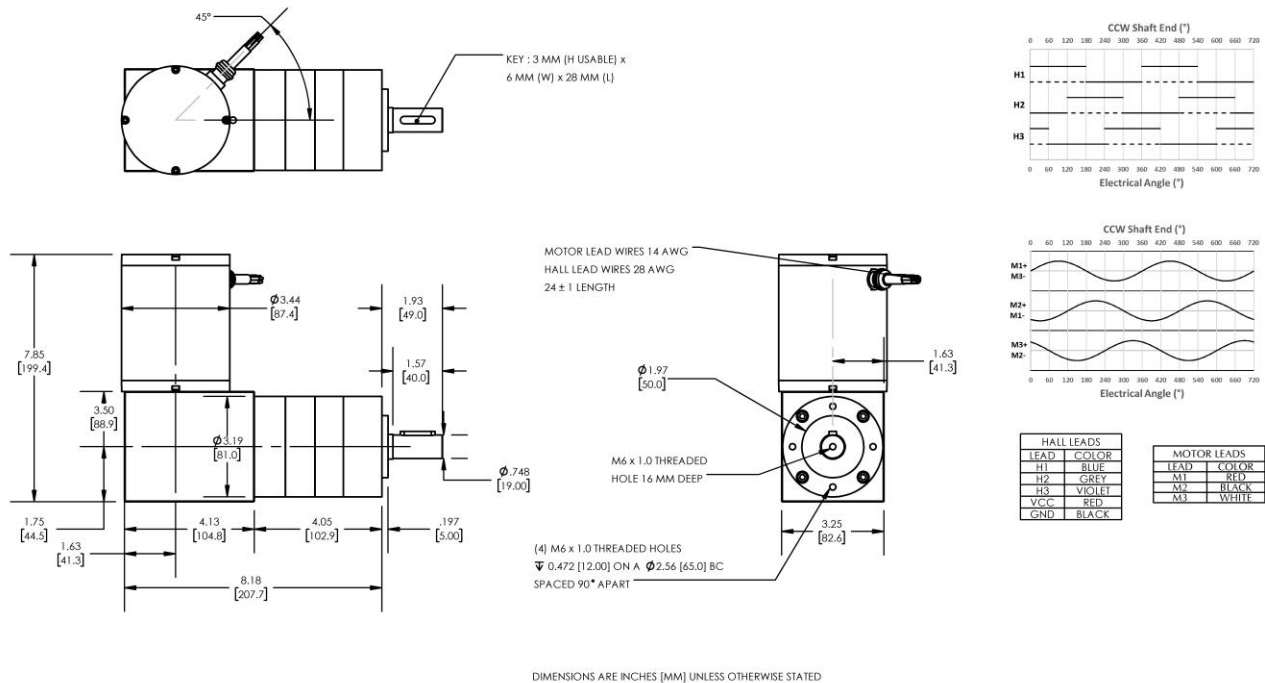




# REVERSIBLE BRUSHLESS DC RIGHT-ANGLED GEARMOTOR

**Model Number:**

**MMP BL87-435D-48V GRA81-115**



PLANETARY GEARMOTOR OUTPUT PARAMETERS:	VALUE	UNITS	TOLERANCE
Gearhead Ratio (exact)	115.07 : 1		
Gearhead Shaft Output Speed (at full-load)	23	RPM	MAX
Gearmotor Rated Continuous Torque	1551	In-Lbs	MAX
Gearmotor Rated Peak Torque	2124++	In-Lbs	----
Gearhead Standard Backlash	36	Arc Minutes	MAX
Gearhead Efficiency	70%	----	----
Output Shaft Radial Load Capacity	225	Lbs	MAX
Output Shaft Axial Load Capacity	45	Lbs	MAX
Gearmotor Total Weight	17	Lbs	MAX

++ All Peak Torque values are dependent upon duty. Contact our sales office for details.

DC MOTOR PERFORMANCE PARAMETERS:	VALUE	UNITS	TOLERANCE
Rated DC Voltage	48	DC VOLTS	----
Rated Continuous Current	18.0	AMPERES	----
No-Load Speed	3609	RPM	MAX
Rated Speed	2618	RPM	+/- 15%
Rated Continuous Power Out	595	WATTS	+/- 15%
Rated Continuous Torque	308	OZ-IN	----
Peak Torque (motor only)	784	OZ-IN	----
No-Load Current	0.85	AMPERES	MAX
Back EMF Constant (Ke)	13.3	V/KRPM	+/- 10%
Torque Constant (Kt)	18.0	OZ-IN/AMP	+/- 10%
DC Armature Resistance	0.73	OHMS	+/- 15%
Armature Inductance	0.72	mH	+/- 15%
Armature temperature	155	DEG. C	MAX

**NOTES:**

- ENCODER & BRAKE OPTIONS AVAILABLE – [FOLLOW THIS LINK FOR DETAILS](#)
- NEMA MOUNTING FLANGE OPTION AVAILABLE – [FOLLOW THIS LINK FOR DETAILS](#)

**MIDWEST MOTION PRODUCTS, INC**

**DESIGN, MANUFACTURING & DISTRIBUTION - MOTION CONTROL EQUIPMENT**

[www.midwestmotion.com](http://www.midwestmotion.com)

email: [sales@midwestmotion.com](mailto:sales@midwestmotion.com)